

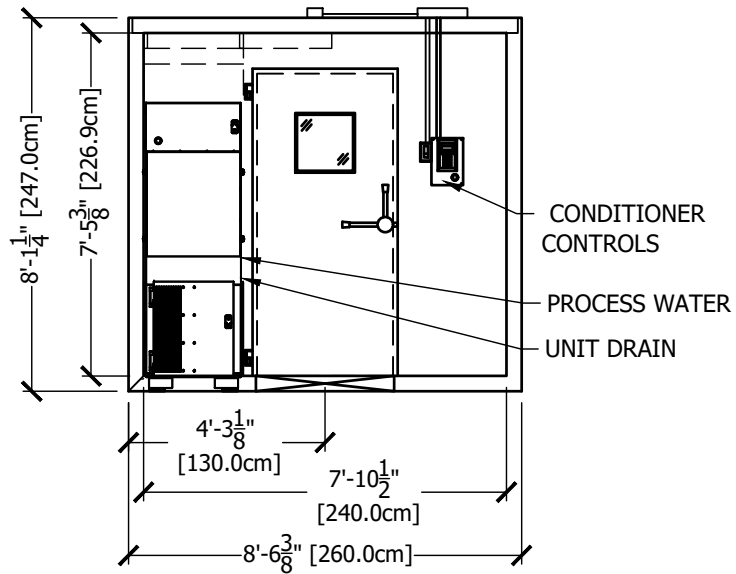
ROOM FINISH:
 WALLS & CEILING: EPOXY WHITE - INTERIOR/EXTERIOR
 FLOORS: CORROSION RESISTANT & ANTI-SLIP

NOTE:
 TOLERANCE UNLESS SPECIFIED: ±1/2" [12.7]

| APPROVAL DRAWING | |
|---|-------------|
| <input type="checkbox"/> APPROVED | |
| <input type="checkbox"/> APPROVED AS NOTED | |
| <input type="checkbox"/> RETURNED FOR CORRECTIONS | |
| INITIAL: _____ | DATE: _____ |



| | | |
|--|----------------------|-----------------|
| TITLE STANDARD - 9224 UNIT & DUCT SYS. PLAN VIEW (8'x8') | | |
| DATE 13 Dec 2022 | DRAWN JP/HL | |
| REV. A | DWG. NO. 22120811 | SHEET 1 of 5 |



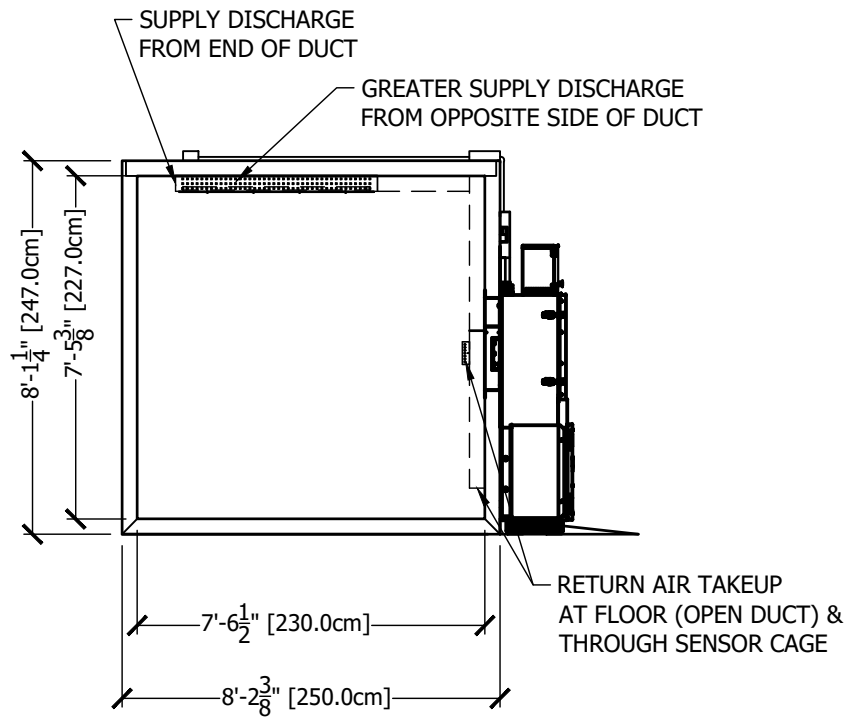
ROOM FINISH:
 WALLS & CEILING: EPOXY WHITE - INTERIOR/EXTERIOR
 FLOORS: CORROSION RESISTANT & ANTI-SLIP

NOTE:
 TOLERANCE UNLESS SPECIFIED: $\pm\frac{1}{2}$ " [12.7]

| | |
|--|-------------|
| APPROVAL DRAWING | |
| <input type="checkbox"/> APPROVED <input type="checkbox"/> APPROVED AS NOTED <input type="checkbox"/> RETURNED FOR CORRECTIONS | |
| INITIAL: _____ | DATE: _____ |



| | | |
|--|----------------------|-----------------|
| TITLE STANDARD - 9224 UNIT & DUCT SYS. FRONT ELEVATION (8'x8') | | |
| DATE 13 Dec 2022 | DRAWN JP/HL | |
| REV. A | DWG. NO. 22120811 | SHEET 2 of 5 |



ROOM FINISH:

WALLS & CEILING: EPOXY WHITE - INTERIOR/EXTERIOR
 FLOORS: CORROSION RESISTANT & ANTI-SLIP

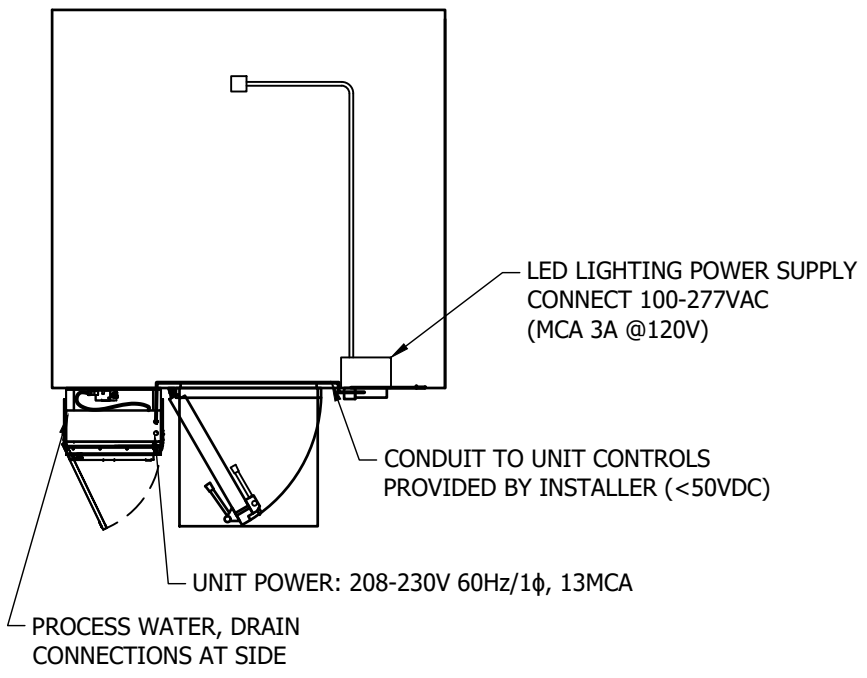
NOTE:

TOLERANCE UNLESS SPECIFIED: $\pm 1/2$ " [12.7]

| | |
|--|-------------|
| APPROVAL DRAWING | |
| <input type="checkbox"/> APPROVED <input type="checkbox"/> APPROVED AS NOTED <input type="checkbox"/> RETURNED FOR CORRECTIONS | |
| INITIAL: _____ | DATE: _____ |



| | | | |
|--|-------------|--------|-------|
| TITLE STANDARD - 9224 UNIT & DUCT SYS. LEFT ELEVATION (8'x8') | | | |
| DATE | 13 Dec 2022 | DRAWN | JP/HL |
| REV. | DWG. NO. | SHEET | |
| A | 22120811 | 3 of 5 | |

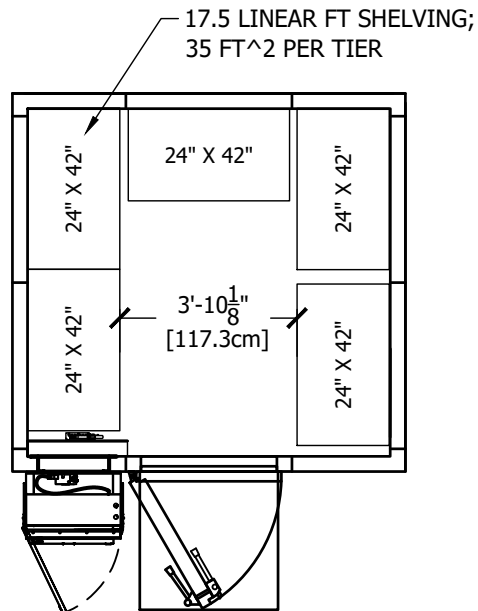


NOTE:
TOLERANCE UNLESS SPECIFIED: $\pm\frac{1}{2}$ " [12.7]

| | |
|--|-------------|
| APPROVAL DRAWING | |
| <input type="checkbox"/> APPROVED <input type="checkbox"/> APPROVED AS NOTED <input type="checkbox"/> RETURNED FOR CORRECTIONS | |
| INITIAL: _____ | DATE: _____ |



| | | |
|--|-----------------------------|----------------------|
| TITLE STANDARD - 9224 UNIT & DUCT SYS. UTILITIES (8'x8') | | |
| DATE 13 Dec 2022 | DRAWN JP/HL | |
| REV. A | DWG. NO. 22120811 | SHEET 4of5 |



NOTE:
TOLERANCE UNLESS SPECIFIED: ±½" [12.7]

| | |
|--|-------------|
| APPROVAL DRAWING | |
| <input type="checkbox"/> APPROVED <input type="checkbox"/> APPROVED AS NOTED <input type="checkbox"/> RETURNED FOR CORRECTIONS | |
| INITIAL: _____ | DATE: _____ |



| | | |
|--|-----------------------------|------------------------|
| TITLE STANDARD - 9224 UNIT & DUCT SYS. PLAN VIEW (8'x8') | | |
| DATE 13 Dec 2022 | DRAWN JP/HL | |
| REV. A | DWG. NO. 22120811 | SHEET 5 of 5 |