

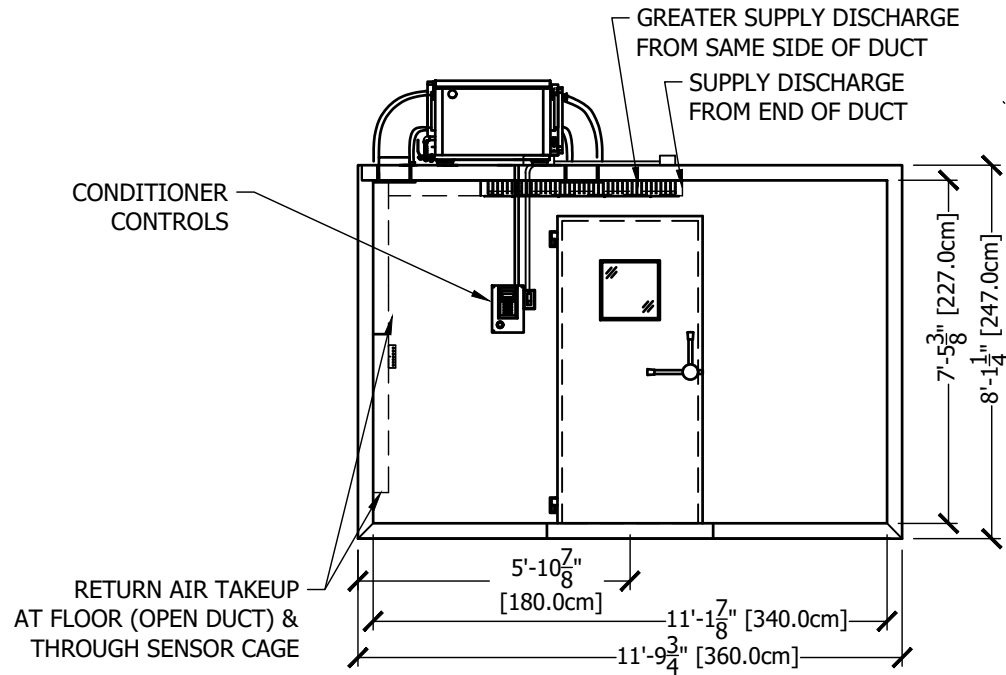
ROOM FINISH:
WALLS & CEILING: EPOXY WHITE - INTERIOR/EXTERIOR
FLOORS: CORROSION RESISTANT & ANTI-SLIP

NOTE:
TOLERANCE UNLESS SPECIFIED: ±½" [12.7]

APPROVAL DRAWING	
<input type="checkbox"/> APPROVED <input type="checkbox"/> APPROVED AS NOTED <input type="checkbox"/> RETURNED FOR CORRECTIONS	
INITIAL: _____	DATE: _____



TITLE PGC 9324 UNIT & DUCT SYS. PLAN VIEW (8'X12' V2)	
DATE 12 Dec 2022	DRAWN JP/HL
REV. A	DWG. NO. 22120819
SHEET 1 of 5	



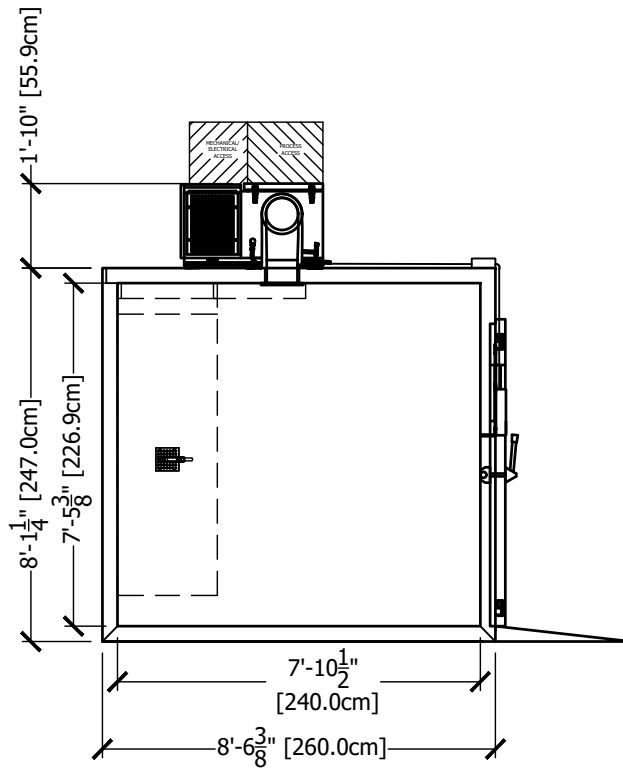
ROOM FINISH:
 WALLS & CEILING: EPOXY WHITE - INTERIOR/EXTERIOR
 FLOORS: CORROSION RESISTANT & ANTI-SLIP

NOTE:
 TOLERANCE UNLESS SPECIFIED: ±1/2" [12.7]

APPROVAL DRAWING	
<input type="checkbox"/> APPROVED	
<input type="checkbox"/> APPROVED AS NOTED	
<input type="checkbox"/> RETURNED FOR CORRECTIONS	
INITIAL: _____	DATE: _____



TITLE PGC 9324 UNIT & DUCT SYS. FRONT ELEVATION VIEW (8'X12' V2)	
DATE 12 Dec 2022	DRAWN JP/HL
REV. A	DWG. NO. 22120819
SHEET 2 of 5	



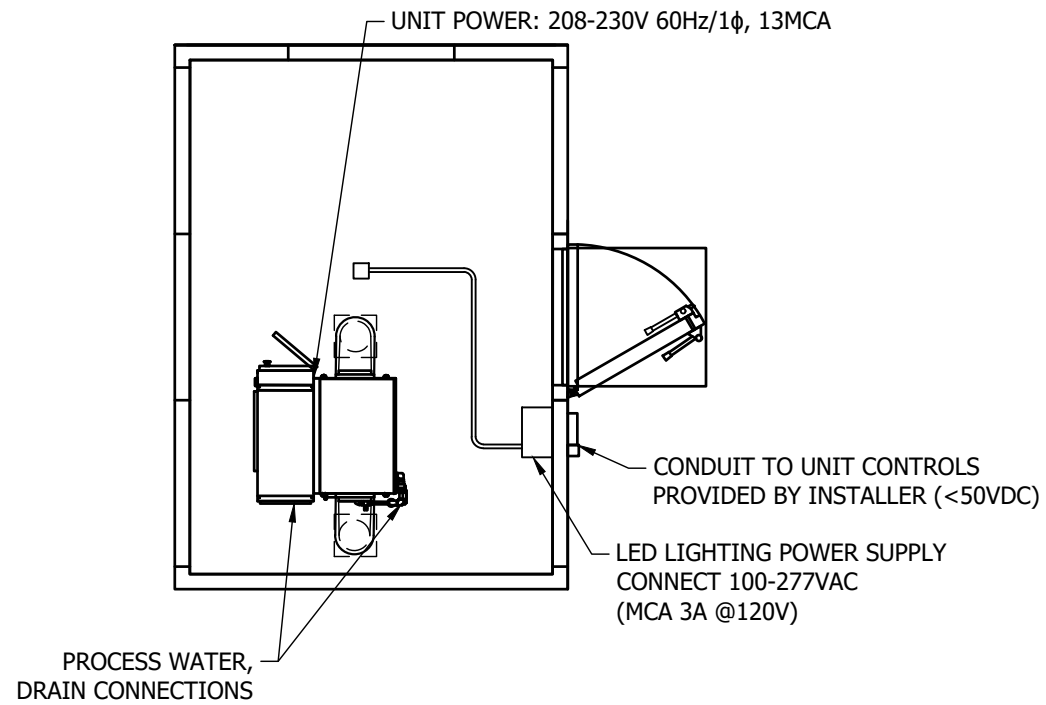
ROOM FINISH:
 WALLS & CEILING: EPOXY WHITE - INTERIOR/EXTERIOR
 FLOORS: CORROSION RESISTANT & ANTI-SLIP

NOTE:
 TOLERANCE UNLESS SPECIFIED: $\pm \frac{1}{2}$ " [12.7]

APPROVAL DRAWING	
<input type="checkbox"/> APPROVED <input type="checkbox"/> APPROVED AS NOTED <input type="checkbox"/> RETURNED FOR CORRECTIONS	
INITIAL: _____	DATE: _____



TITLE PGC 9324 UNIT & DUCT SYS. LEFT SIDE ELEV. (8'X12' V2)	
DATE 12 Dec 2022	DRAWN JP/HL
REV. A	DWG. NO. 22120819
SHEET 3 of 5	



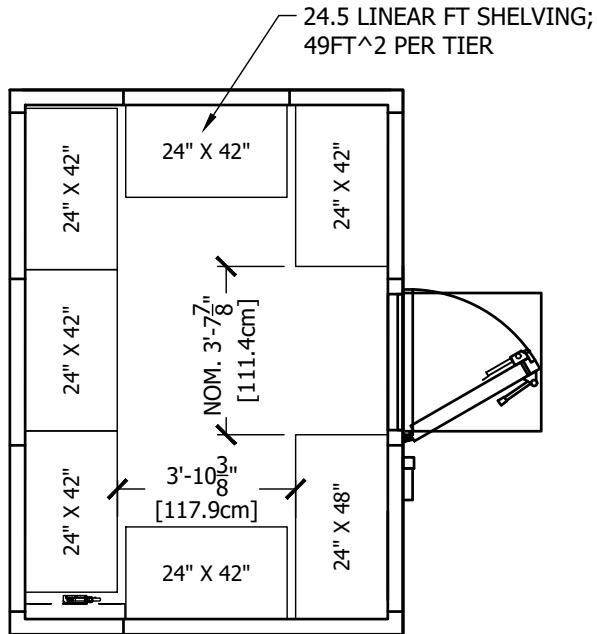
ROOM FINISH:
 WALLS & CEILING: EPOXY WHITE - INTERIOR/EXTERIOR
 FLOORS: CORROSION RESISTANT & ANTI-SLIP

NOTE:
 TOLERANCE UNLESS SPECIFIED: ±½" [12.7]

APPROVAL DRAWING	
<input type="checkbox"/> APPROVED <input type="checkbox"/> APPROVED AS NOTED <input type="checkbox"/> RETURNED FOR CORRECTIONS	
INITIAL: _____	DATE: _____



TITLE PGC 9324 UNIT & DUCT SYS. UTILITIES (8'X12' V2)		
DATE 12 Dec 2022	DRAWN JP/HL	
REV. A	DWG. NO. 22120819	SHEET 4 of 5



ROOM FINISH:
 WALLS & CEILING: EPOXY WHITE - INTERIOR/EXTERIOR
 FLOORS: CORROSION RESISTANT & ANTI-SLIP

NOTE:
 TOLERANCE UNLESS SPECIFIED: $\pm \frac{1}{2}$ " [12.7]

APPROVAL DRAWING	
<input type="checkbox"/> APPROVED <input type="checkbox"/> APPROVED AS NOTED <input type="checkbox"/> RETURNED FOR CORRECTIONS	
INITIAL: _____	DATE: _____



TITLE		PGC 9324 UNIT & DUCT SYS. SHELVING PLAN (8'X12' V2)	
DATE	12 Dec 2022	DRAWN	JP/HL
REV.	DWG. NO.	SHEET	
A	22120819	5 of 5	