
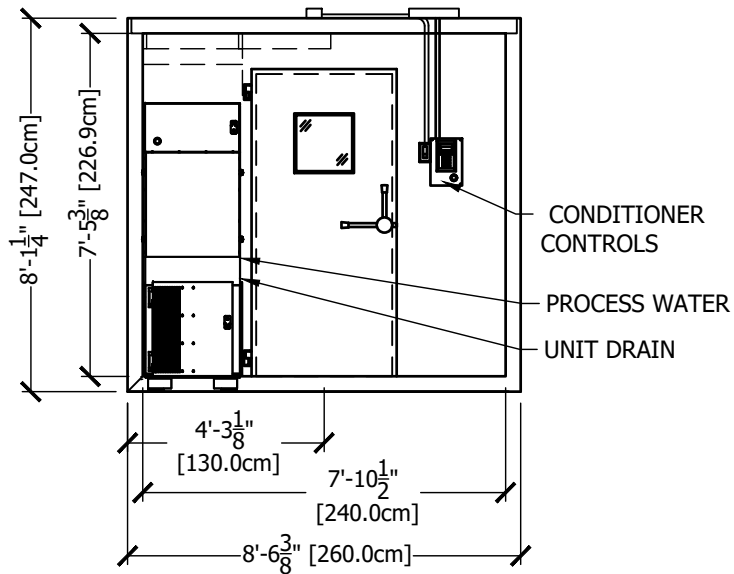


NOTE:  
TOLERANCE UNLESS SPECIFIED: ±1/2" [12.7]

APPROVAL DRAWING	
<input type="checkbox"/> APPROVED	
<input type="checkbox"/> APPROVED AS NOTED	
<input type="checkbox"/> RETURNED FOR CORRECTIONS	
INITIAL: _____	DATE: _____

	TITLE PGC 9224 UNIT & DUCT SYS. PLAN VIEW (8'X12' V1)	
	DATE 08 Dec 2022	DRAWN JP/HL
REV. A	DWG. NO. 22120812	SHEET 1 of 5

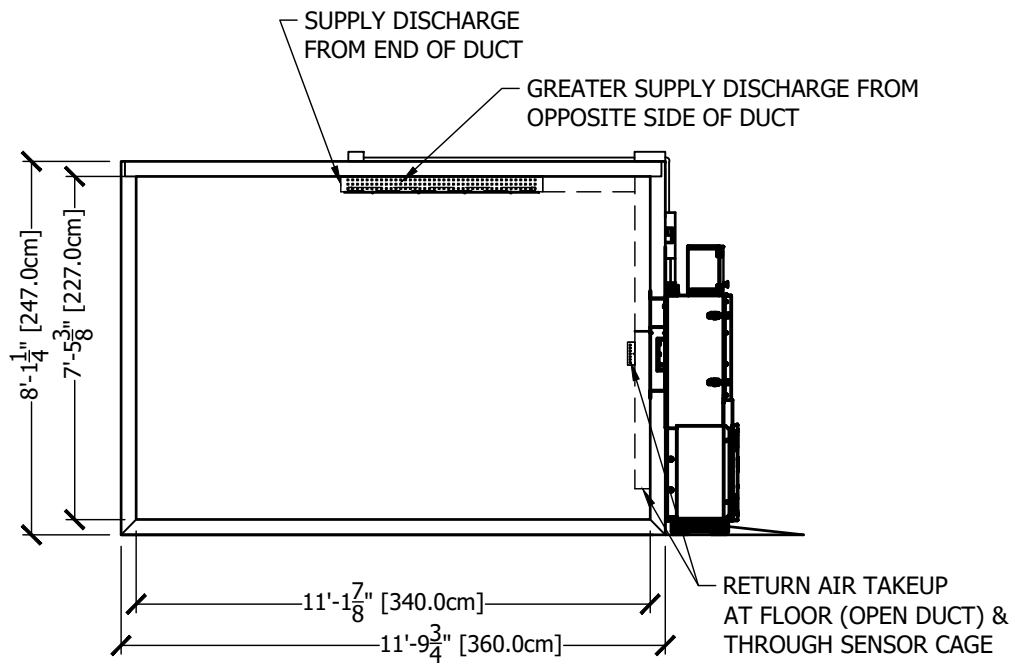


NOTE:  
 TOLERANCE UNLESS SPECIFIED:  $\pm\frac{1}{2}$ " [12.7]

APPROVAL DRAWING	
<input type="checkbox"/> APPROVED	
<input type="checkbox"/> APPROVED AS NOTED	
<input type="checkbox"/> RETURNED FOR CORRECTIONS	
INITIAL: _____	DATE: _____



TITLE PGC 9224 UNIT & DUCT SYS. FRONT ELEVATION VIEW (8'X12' V1)		
DATE 08 Dec 2022	DRAWN JP/HL	
REV. A	DWG. NO. 22120812	SHEET 2 of 5

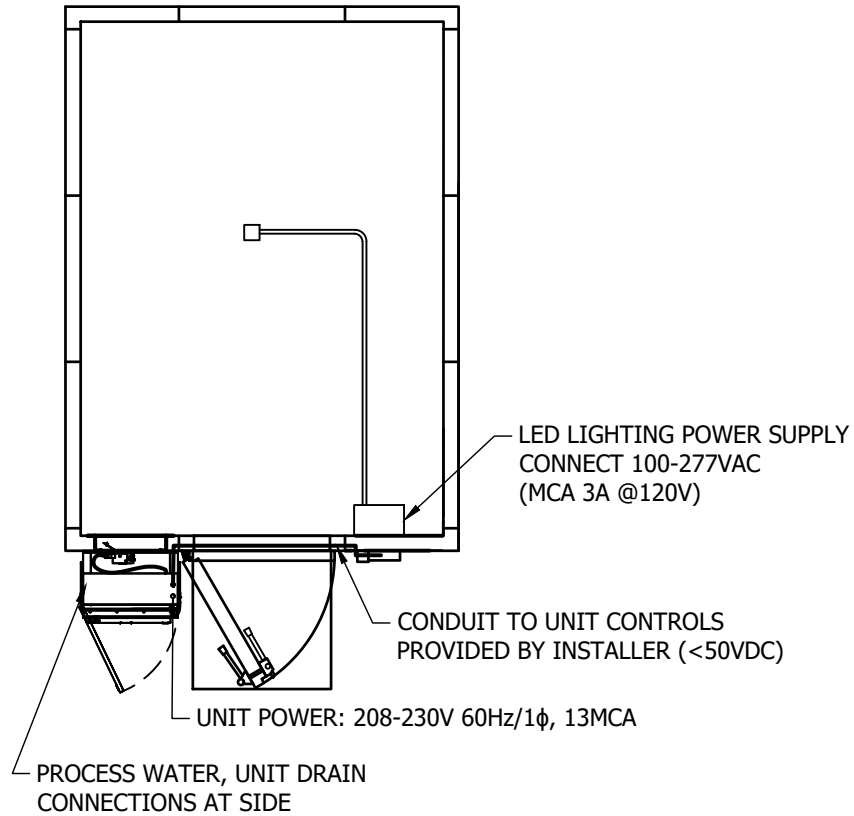


NOTE:  
TOLERANCE UNLESS SPECIFIED:  $\pm\frac{1}{2}$ " [12.7]

<b>APPROVAL DRAWING</b>	
<input type="checkbox"/> APPROVED <input type="checkbox"/> APPROVED AS NOTED <input type="checkbox"/> RETURNED FOR CORRECTIONS	
INITIAL: _____	DATE: _____




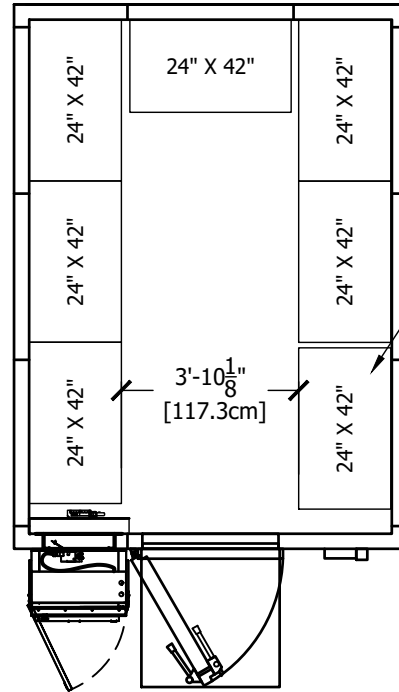
TITLE PGC 9224 UNIT & DUCT SYS. LEFT SIDE ELEV. (8'X12' V1)		
DATE 08 Dec 2022	DRAWN JP/HL	
REV. A	DWG. NO. 22120812	SHEET 3 of 5



NOTE:  
TOLERANCE UNLESS SPECIFIED:  $\pm\frac{1}{2}$ " [12.7]

<b>APPROVAL DRAWING</b>	
<input type="checkbox"/> APPROVED <input type="checkbox"/> APPROVED AS NOTED <input type="checkbox"/> RETURNED FOR CORRECTIONS	
INITIAL: _____	DATE: _____

 <b>PARAMETER</b> GENERATION & CONTROL Black Mountain, NC		TITLE PGC 9224 UNIT & DUCT SYS. UTILITIES (8'X12' V1)	
		DATE 08 Dec 2022	DRAWN JP/HL
REV. A	DWG. NO. 22120812	SHEET 4 of 5	



24.5 LINEAR FT SHELVING;  
49 FT<sup>2</sup> PER TIER

NOTE:  
TOLERANCE UNLESS SPECIFIED:  $\pm \frac{1}{2}$ " [12.7]

<b>APPROVAL DRAWING</b>	
<input type="checkbox"/> APPROVED <input type="checkbox"/> APPROVED AS NOTED <input type="checkbox"/> RETURNED FOR CORRECTIONS	
INITIAL: _____	DATE: _____



TITLE PGC 9224 UNIT & DUCT SYS. SHELVING PLAN (8'X12' V1)		
DATE 08 Dec 2022	DRAWN JP/HL	
REV. A	DWG. NO. 22120812	SHEET 5 of 5